



INSTALLATION INSTRUCTIONS FOR ESCORT IX, REDLINE EX, AND 360C RADAR DETECTORS

Your rear view mirror has minimal clearance between the back side of the mirror and the mirror stem. It is very important that this mount is installed correctly to ensure mirror adjustability is retained.
PLEASE READ THESE INSTRUCTIONS THOROUGHLY BEFORE INSTALLING THIS MOUNT

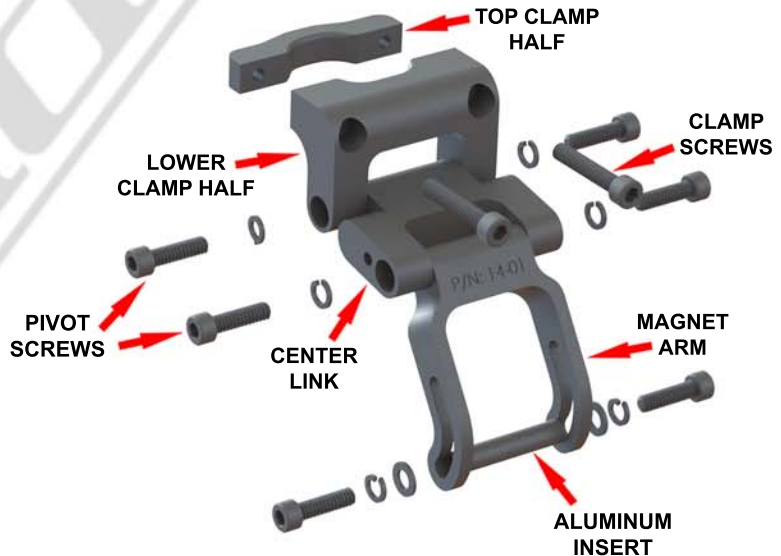
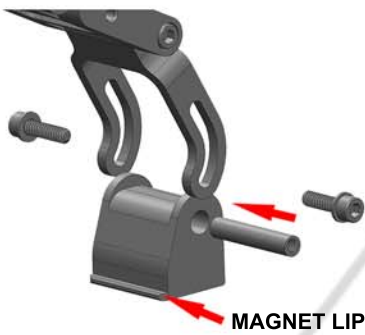
NOTE: For illustration purposes, the mount and rear view mirror shown in these instructions may look slightly different than YOUR mount and rear view mirror.



1 - The magnet must be removed from the suction cup mount that the radar detector came with.

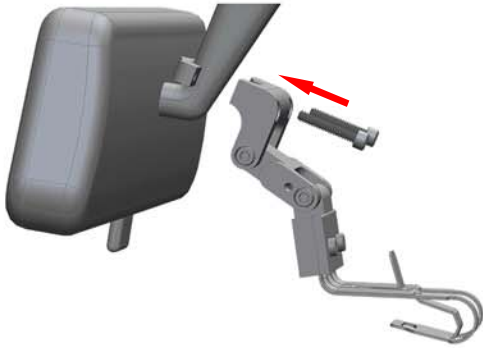


2 - Unscrew and remove bolt, only the magnetic piece is used with the blendmount.

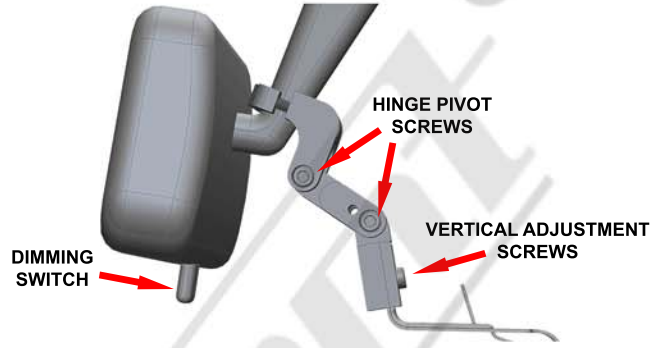


3 - Install aluminum threaded insert into magnet, and attach magnet onto blendmount with lip pointed in direction as shown.

4 - Remove the two socket head CLAMP SCREWS as shown above. Loosen the hinge PIVOT SCREWS to position mount as desired. Remove the ALUMINUM INSERT and screws to install the magnet onto the MAGNET ARM.



5 - Install the mount while sitting in the passenger side of your vehicle. Remove the two socket head screws so the top portion of the mount may be removed. Position the mount on the bottom of the stem as shown above. Reattach the top portion of the mount. Tighten both screws evenly making sure it is in the correct position as shown above. Tighten both screws until mount is securely attached to the mirror stem.



6 - Install the RD onto the mount. We recommend you adjust the RD so it is as close to the bottom of the mirror as possible. Using the vertical adjustment and orienting the double pivot center link, adjust RD upward as far as possible while making sure the mirror dimming switch is still accessible. After all adjustments are made, be sure to check that the pivot and vertical adjustment screws are tight. Grab the long arm of the allen wrench to assure that these screws are securely tightened.



ADJUST MOUNT TO ALLOW ROOM FOR FINGERS TO USE BUTTONS ON TOP RADAR

7 - Install the RD onto the mount. Make the necessary adjustments as shown above. Using the upper and lower pivots, and the vertical adjustment, leave enough room below bottom of mirror to allow access to buttons on top of radar detector.



PUSH UP ON FACE AND TWIST TO REMOVE



8 - To remove the radar from the magnetic mount, simply tilt the face of the RD up and twist slightly to side, then the magnet will release.

CAUTION

DO NOT use this mount if it interferes with the adjustability or the operation of your rear view mirror in any way.

DO NOT use this mount if the radar detector creates an unsafe viewing obstruction.

DO NOT ATTEMPT TO MODIFY THIS PRODUCT. Consult the manufacturer for assistance.

All BlendMount products are accompanied with detailed installation instructions and adjustment tips. You are encouraged to contact customerservice@blendmount.com or call J28 Design at 1-888-497-8388 for further assistance.

Check the BlendMount Forum for installation tips and some vehicle specific installs.
www.blendmount.com

Your feedback is very important to us. Please email any questions or comments you have to customerservice@blendmount.com